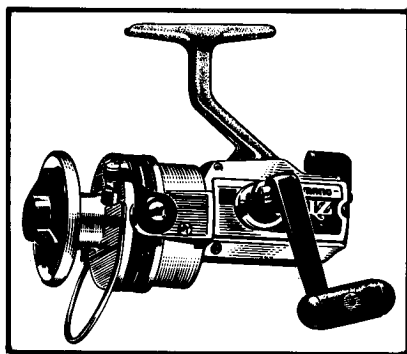
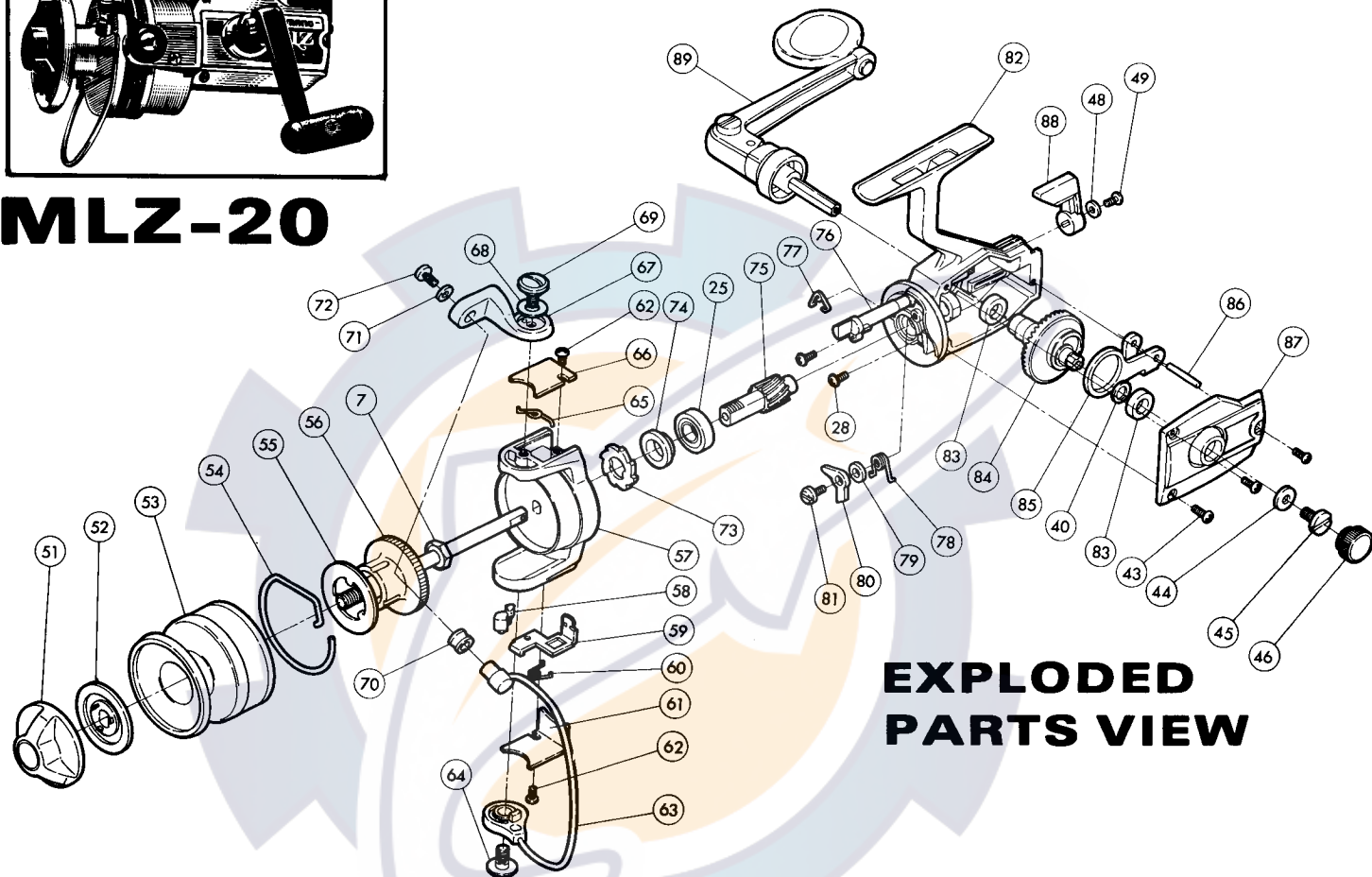


REPAIR MANUAL SHEET MLZ-20

Shimano American Corporation, 205 Jefferson Road
Parsippany, N.J. 07054



MLZ-20



EXPLODED PARTS VIEW

PARTS LIST

PART#	DESCRIPTION	PRICE	PART#	DESCRIPTION	PRICE	PART#	DESCRIPTION	PRICE
7	Rotor nut	.15	58	Trip plate cam	.25	75	Pinion gear	2.00
25	Ball bearing	5.00	59	Trip plate	.75	76	Anti reverse shaft	.60
28	Bearing retainer screw	.15	60	Trip plate spring	.25	77	Anti reverse shaft spring	.15
40	Drive gear spacer (optional)	.15	61	Trip plate cover	.25	78	Anti reverse dog spring	.15
43	Side plate screw	.15	62	Cover screw	.25	79	Anti reverse shaft spacer	.15
44	Lock washer	.15	63	Bail wire	1.80	80	Anti reverse dog	.35
45	Handle screw	.15	64	Bail wire screw	.55	81	Anti reverse dog screw	.25
46	Dust cap	.25	65	Bail spring	.25	82	Housing	5.25
48	Anti reverse lever lock wash.	.15	66	Bail spring cover	.15	83	Drive gear bushing	.45
49	Anti reverse lever screw	.15	67	Bail mount	1.50	84	Drive gear	1.00
51	Drag adjusting knob	1.25	68	Bail mount washer (opt.)	.15	85	Oscillation guide	.25
52	Drag disk	.25	69	Bail mount screw	.35	86	Oscillation guide pin	.15
53	Spool shell	8.00	70	Roller line guide	.50	87	Side plate	2.75
54	Click spring	.35	71	Lock washer	.15	88	Anti reverse lever	.25
55	Base drag washer	.15	72	Bail wire screw	.25	89	Handle	6.00
56	Spindle	1.50	73	Anti reverse ratchet	.50			
57	Rotor	4.00	74	Anti reverse ratchet spacer	.25			

Prices and specifications subject to change without notice.

Mar. 6 '81